

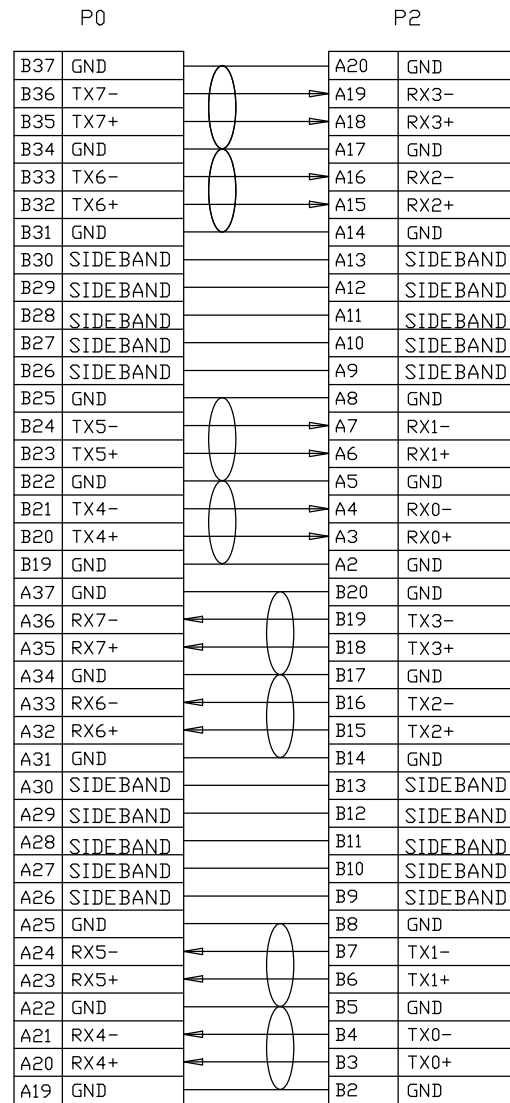
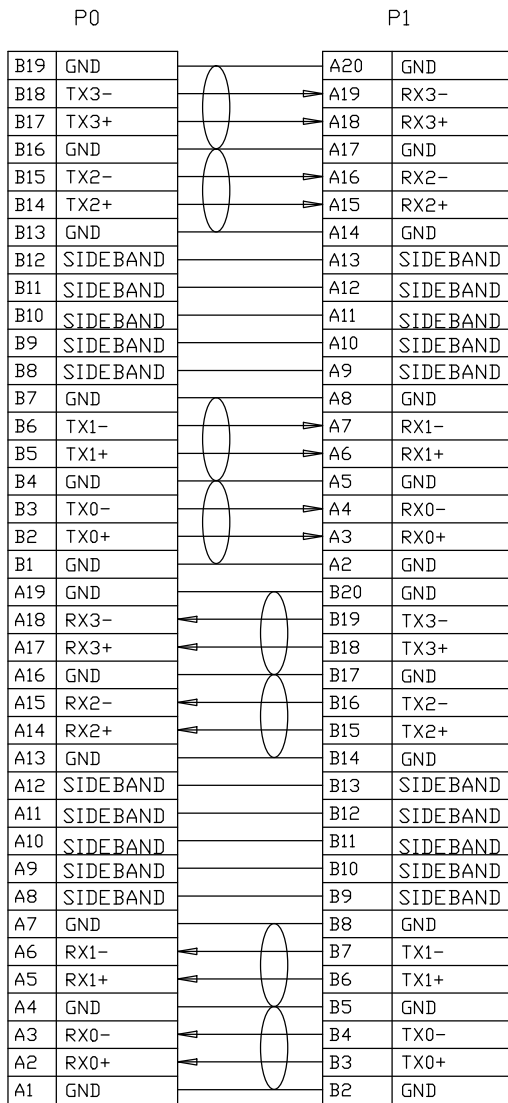
8654 8I 防尘盖 ⑭

受控文件②
2025-09-23
OIKWAN

电气特性:
1.100%开路、短路、断路测试。
2.绝缘阻抗: 10M Ωhm Min
3.导通阻抗: 2 Ωhm MAX
4.耐压: DC 300V,0.01/Sec

14	防尘盖	8654 8I 防尘盖	1	PCS
13	标签	P1/P2 标签	2	PCS
12	弹片	不锈钢弹片	1	PCS
11	网管	PET 黑色 OD: 10mm	A/R	mm
10	醋酸胶布	W=25±5mm, 黑色	A/R	mm
9	胶料	LDPE,NATURAL	A/R	g
8	胶料	PBT+30GF% 黑色	A/R	g
7	外壳	OCULINK 4I HOOK_UP PC+ABS, 黑色	2	PCS
6	外壳	OCULINK 4I HOOK_DOWN PC+ABS, 黑色	2	PCS
5	连接器	OCULINK 4I CONN	2	PCS
4	PCB	OCULINK 4I PCB 88±8 ohm	2	PCS
3	PCBA	SLIMSAS 8I PCB, PIN: Au 15U" 88±8 ohm	1	PCS
2	线材	30AWG 电子线	A/R	mm
1	线材	<32AWG*2C+2D>AL+MYLAR,OD:0.65*1.54MM,85±5 ohm	A/R	mm
NO.	PART NAME	SPEC DESCRIPTION	QTY	UNIT

A	INITIAL RELEASE		25/09/23	
REV	DESCRIPTION OF CHANGE		DATE	
TOLERANCE			OIKWAN® 东莞市蔼群实业有限公司 DONGGGUAN AIQUN INDUSTRIAL CO.,LTD.	
INCHES				
MM				
.X	.015	.30		
.XX	.010	.10	SCALE	NONE
.XXX	.005	.05	UNIT	MM
DRAWN BY	WSY		SHEET 1/2	
			CUSTOMER:	
CHECK BY			DATE	25/09/23
			DWG NO:	
CUSTOMER P/N:			TITLE: SLIMSAS 8654 8i TO 2*8611	
			P/N: 1.AMSA80010007	



A	INITIAL RELEASE		25/09/23				
REV	DESCRIPTION OF CHANGE		DATE				
TOLERANCE			DIKWAN 东莞市蔼群实业有限公司 DONGGGUAN AIQUN INDUSTRIAL CO.,LTD.				
INCHES							
MM							
.X	.015	.30					
.XX	.010	.10	SCALE	NONE			
.XXX	.005	.05	UNIT	MM			
DRAWN BY	WSY		SHEET	2/2		REV	A
CHECK BY			DATE	25/09/23	DWG NO:		
			TITLE: SLIMSAS 8654 8i TD 2*8611				
CUSTOMER P/N:			P/N: 1.AMSA80010007				