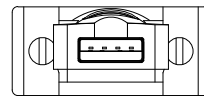
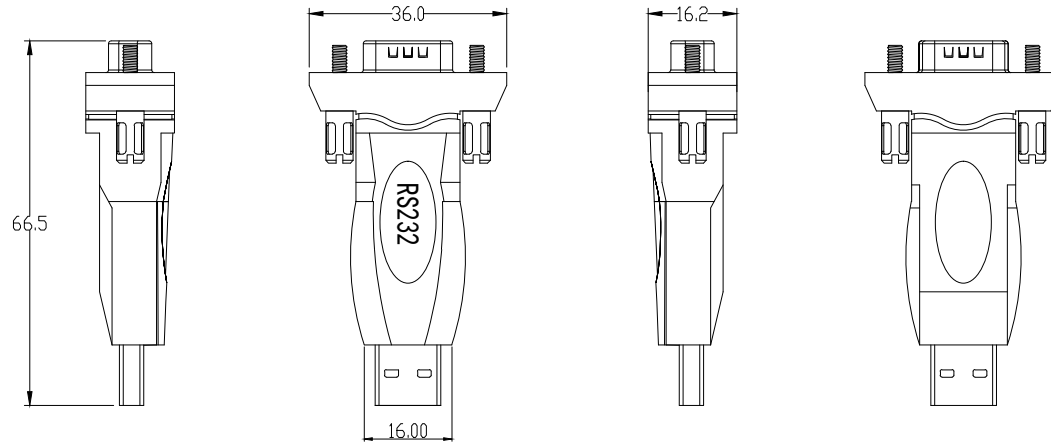
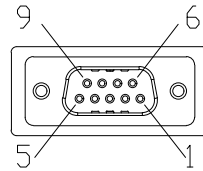




1	DCD
2	RXD
3	TXD
4	DTR
5	GND
6	DSR
7	RTS
8	CTS
9	RI



- 电气特性:
- 1.100%开路、短路、断路测试。
 - 2.绝缘阻抗: 10M Ohm Min
 - 3.导通阻抗: 2 Ohm MAX
 - 4.耐压: DC 300V,0.01/Sec

					A	INITIAL RELEASE			25/09/04			
					REV	DESCRIPTION OF CHANGE			DATE			
6	CONN	DB9/M,G/F	1	pcs	TOLERANCE INCHES MM			OIKWAN 东莞市葛群实业有限公司 DONGGUAN AIQUN INDUSTRIAL CO.,LTD				
5	SCREW	SREW,∅2.3*20mm	2	pcs	.X	.015	.30					
4	CONN.	USB A/M,G/F	1	pcs	.XX	.010	.10					
3	MOLDING	LDPE	A/R	9	.XXX	.005	.05	SCALE	NONE		REV	A
2	MOLDING	45P PVC,BLACK	A/R	9	DRAWN BY	TONY CHAN		UNIT	MM		SHEET	1/1
1	PCBA	PCBA,FR4,FT232+ZT213,W13.5*L35*T1.2mm	1	PCS	CHECK BY			DATE	25/09/04	DWG NO:		
NO.	PART NAME	SPEC DESCRIPTION	QTY	UNIT	CUSTOMER P/N:	TITLE: USB-DB9 公 转接头						
					P/N: 1.ADB16CV10001							