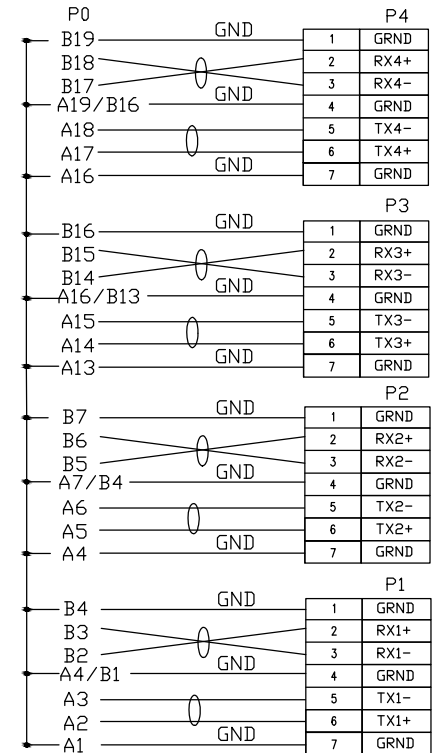


8654 4I防尘帽⑪

- 电气特性:
- 1.100%开路、短路、断路测试。
 - 2.绝缘阻抗: 10M Ωhm Min
 - 3.导通阻抗: 2 Ωhm MAX
 - 4.耐压: DC 300V,0.01/Sec



PIN ASSIGNMENT:



NC:A8,A9,A10,A11,A12,
B8,B9,B10,B11,B12

11	防尘帽	8654 4I防尘帽	1	PCS
10	标签	W6*L24, PRINT "P1&P2&P3&P4"	4	PCS
9	连接器	SATA 7P/F,PIN:G/F	4	PCS
8	弹片	不锈钢弹片	5	PCS
7	网管	PET 黑色 OD: 10mm	A/R	mm
6	醋酸胶布	W=25±5mm,黑色	A/R	mm
5	胶料	45P PVC 黑色	A/R	9
4	胶料	LDPE,NATURAL	A/R	9
3	胶料	PBT+30%GF 黑色	A/R	9
2	PCB	SLIMSAS 8654 4I PCB,PIN:AU 15U" 88±8 ohm	1	PCS
1	线材	(30AWG*1P+34AWG*2C) ,OD:0.65*1.54MM,100±10 ohm	A/R	mm
NO.	PART NAME	SPEC DESCRIPTION	QTY	UNIT

A	INITIAL RELEASE		25/09/28
REV	DESCRIPTION OF CHANGE		DATE
TOLERANCE			
INCHES			
	.X	.015	.30
	.XX	.010	.10
	.XXX	.005	.05
DRAWN BY	WSY		REV A
CHECK BY			UNIT MM
CUSTOMER P/N:		SCALE NONE	
P/N: AMS9S0010003		UNIT MM	
		SHEET 1/1	
		DATE 25/09/28	
		DWG NO:	
		TITLE: SLIMSAS 8654 4I-4*SATA	

DIKWAN® 东莞市谩群实业有限公司
DONGGGUAN AIQUN INDUSTRIAL CO.,LTD.